

# MODEL TL-2150

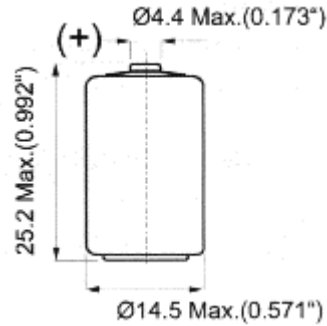
International size reference : 1/2AA, ER14252

## TECHNICAL DATA

(Typical Values @+25°C for batteries stored for one year or less)

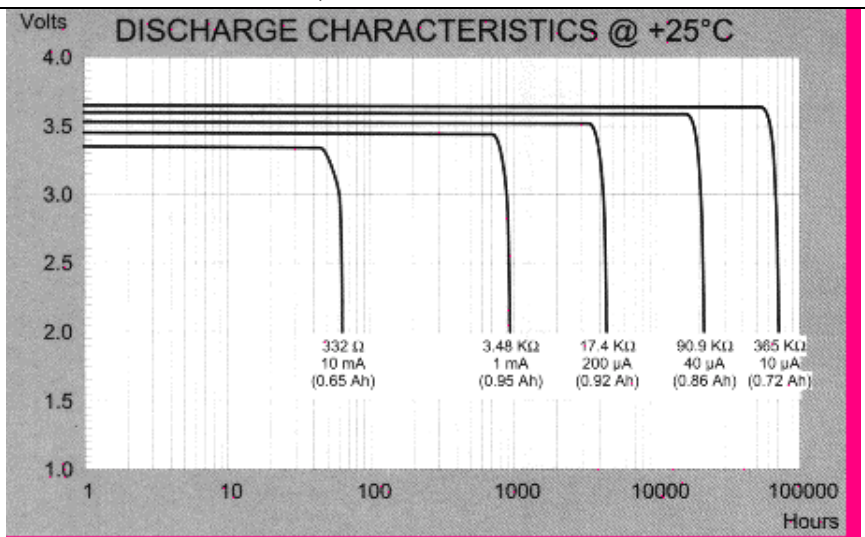
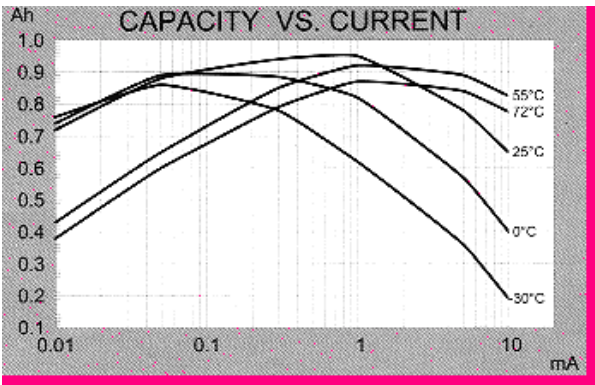
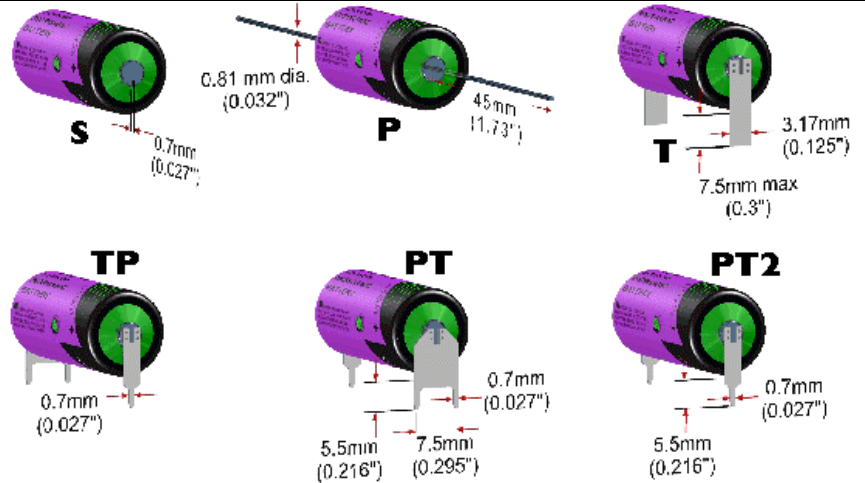
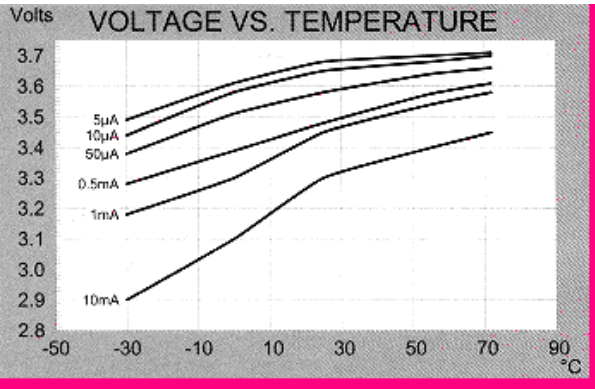
Nominal capacity @ 1mA TO 2V	0.95Ah
Rated voltage	3.6V
Maximum continuous current	50mA
Maximum pulse current capability	100mA
Rated 1 sec. pulse capability (to 3V)	20mA
Weight	9g (0.317oz.)
Operating temperature range	-55°C to +85°C

**TADIRAN**  
**LITHIUM**  
**BATTERIES**



### AVAILABLE TERMINATIONS

U.L. Component recognition MH 12193	SUFFIX- /S	STANDARD
	SUFFIX- /P	AXIAL PINS
	SUFFIX- /T	SOLDER TABS
	SUFFIX- /PT2	RADIAL PINS
	SUFFIX- /PT/TP	POLARIZED TABS



**LITHIUM XTRA**